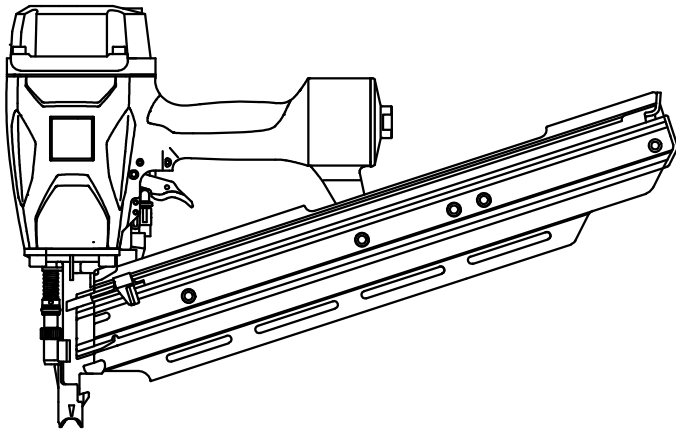


1) TOOL TYPE - GERAETETYP - DESCRIZIONE MACCHINA - TYPE D'OUTIL - TIPO DE MAQUINA

cod.11753.01 F58A RHN 20-90C SCR

3) FASTENER DATA
 ANGABEN ZU DEN BEFESTIGUNGSMITTELN
 CARATTERISTICHE TECNICHE FISSAGGI
 DONNÉES DES PROJECTILES
 DATOS DE CLAVOS



2) TOOL CHARACTERISTICS
 SPEZIFICATION DES GERAETES
 CARATTERISTICHE TECNICHE
 CARACTÉRISTIQUES DE L'OUTIL
 CARACTERÍSTICAS DE LA MAQUINA

| | | | |
|---|--|---|--|
| HEIGHT - HAUTEUR HOEHE - ALTURA ALTEZZA | WIDTH - LARGEUR BREITE - ANCHURA LARGHEZZA | LENGTH - LONGUEUR LAENGE - LONGITUD LUNGHEZZA | WEIGHT - POIDS GEWICHT - PESO PESO |
| in. 13.78 mm. 350 | in. 5.39 mm. 137 | in. 21.2 mm. 540 | lbs. 8.26 kg. 3.750 |
| MIN-MAX WORKING PRESSURE MIN-MAX ARBEITSDRUCK MIN-MAX PRESSIONE DI ESERCIZIO MIN-MAX PRESSION DE TRAVAIL MIN-MAX PRESION DE TRABAJO | | 70 / 120 psi 5 / 8 BAR | |
| AIR CONSUMPTION PER CYCLE LUFTVERBRAUCH PRO NAGELUNG CONSUMO ARIA PER COLPO CONSUMATION DE L'AIRE PAR COUP CONSUMO DE AIRE CADA DISPARO | | PERFORMANCES AT 90 psi (0.62 MPa) PRESTAZIONI A 6.2 BAR (0.62 MPa) 0.066 SCF 1.86 L. | |
| LUBRICANT SCHMIEROEL LUBRIFICANTE LUBRIFIANT LUBRIFICANTE | | AEROSPACE LUBRICANTS TRIBOLUBE 12 | |

| | | | |
|--|------------------------|--|--|
| * ACTUATION SYSTEM * AUSLÖSEART * ATTUAZIONE * MISE EN ŒUVRE * ACTUACION | 3/4 SAFETY FS/CT | * LOADING * LADEN * CARICAM. * CHARGER * CARGA | BOTTOM LOADING SIDE LOADING ● TOP LOADING COIL OTHER |
|--|------------------------|--|--|

* SEE INSTRUCTION MANUAL - SIEHE BETRIEBSANLEITUNG
 - VEDI MANUALE - VOIR MODE D'EMPLOI - VER EL MANUAL

| | |
|--|--------------------------------------|
| NOISE CHARACTERISTICS GERÄUSCH - EMISSION DATEN CARATTERISTICHE RUMOROSITA' CARACTÉRISTIQUES ACOUSTIQUE CARACTERÍSTICAS DE RUIDO | EN 12549+A1:2008 EN ISO 4871:2009 |
| $L_{WA,1s}$: 98.38 dB(A) - $K_{WA,1s}$, 2.5 | |
| $L_{pA,1s}$: 93.00 dB(A) - $K_{pA,1s}$, 2.5 | |

| | |
|--|--|
| VIBRATION VALUE VIBRATIONSWERT VALORE DI VIBRAZIONE VALEUR DE VIBRATION VALOR DE VIBRACIÓN | UNI ISO/TS 8662-11 m/s ² 3.98 |
|--|--|

| SCRAIL® | | | | | | | |
|---|----------|---|----------|---|------|---------------|------|
| FINE-COARSE THREAD | | | BECKDECK | | | | |
| | | FINE | | COARSE | | BECKDECK | |
| | | MIN | MAX | MIN | MAX | MIN | MAX |
| A-B) WIRE SCHAFT FILO ALAMBRE TIGE | in mm | .113- | .138 | .113- | .134 | .120- | .138 |
| | | 2.8- | 3.5 | 2.8- | 3.4 | 3.0- | 3.5 |
| C) HEAD KOPF TESTA TETE CABEZA | | STAR / TORX VERSA SQUARE PHILIPS POZI | | STAR / TORX VERSA SQUARE PHILIPS POZI | | SQUARE DRIVE | |
| L) LENGTH LAENGE LUNGHEZZA LONGEUR LONGITUD | in mm | 2' - 3' | | 2' - 3' | | 2' - 2-9/16' | |
| | | 50 - 75 | | 50 - 75 | | 50 - 65 | |
| MAGAZINE CAPACITY MAGAZIN CAPAZITAET CAPACITA' CARICATORE CAPACITE' CHARGEUR CAPACIDAD CARGADOR | | 62 SCRAIL® | | 62 SCRAIL® | | 62 SCRAIL® | |

| NAIL | | | |
|---|----------|--------------------------|---|
| | | | SHANK |
| | | | - SMOOTH - RING - SCREW - BARBED - TWISTED - KNURLED |
| A) WIRE - SCHAFT FILO - ALAMBRE TIGE | in mm | .114 - .148 2.9 - 3.8 | |
| C) HEAD - KOPF TESTA - TETE CABEZA | in mm | 0.275 7.0 | |
| L) LENGTH LAENGE LUNGHEZZA LONGEUR LONGITUD | in mm | 2' - 3-1/2' 50 - 90 | |
| MAGAZINE CAPACITY MAGAZIN CAPAZITAET CAPACITA' CARICATORE CAPACITE' CHARGEUR CAPACIDAD CARGADOR | | 62 NAILS | |